



*BD DODGE CUMMINS 03-05*  
***COOL-IT INTERCOOLER***  
**Installation Instructions**

| Application List |           |         |
|------------------|-----------|---------|
| 2003 - 2006      | Dodge 24V | 1042510 |



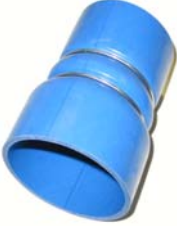
**PLEASE READ ALL INSTRUCTIONS BEFORE INSTALLATION**




BD ENGINE BRAKE, INC.  
Plant Address: A10-33733 King Rd, Abbotsford, BC, Canada V2S 7M9  
US Shipping Address: 88-446 Harrison St, Sumas, WA 98295 US Mailing Address: PO Box 231, Sumas, WA 98295  
Phone: 604-853-6096 Fax: 604-853-8749 Internet: [www.bd-power.com](http://www.bd-power.com)

# KIT CONTENTS:

Please check to make sure that you have all the parts listed in this kit **before** you start the disassembly your truck.

| 1402510   | 1402511  | 1402512   | 1405213   |
|---|--|---|---|
|  |  |  |  |
| <i>Intercooler</i>  | <i>Spacer</i>  | <i>Bolt</i>   | <i>Washer</i>   |
| <b>Qty: 1</b>   | <b>Qty: 4</b>  | <b>Qty: 2</b>   | <b>Qty: 2</b>   |

| 1405212   | 1405211   | 1453320  |
|---|---|--|
|  |  |  |
| <i>3.5" Clamp</i>   | <i>3" Clamp</i>   | <i>Intercooler Boot</i>  |
| <b>Qty: 2</b>   | <b>Qty: 2</b>   | <b>Qty: 2</b>  |

| 1100110   | 1100111   | 1100112   |
|---|---|---|
|  |  |  |
| <i>1/4 x 3/4 Bolt</i>   | <i>Flat Washer</i>  | <i>Lock Washer</i>  |
| <b>Qty: 4</b>   | <b>Qty: 4</b>   | <b>Qty: 4</b>   |

BD ENGINE BRAKE, INC.

Plant Address: A10-33733 King Rd, Abbotsford, BC, Canada V2S 7M9

US Shipping Address: 88-446 Harrison St, Sumas, WA 98295 US Mailing Address: PO Box 231, Sumas, WA 98295

Phone: 604-853-6096 Fax: 604-853-8749 Internet: [www.bd-power.com](http://www.bd-power.com)

## Options

### Description

Super B Turbo Kit 2003-04  
 Super B Turbo Kit 2004.5-2006  
 Twin Turbo Kit 2003-06

### Part #

1045230  
 1045235  
 1045330

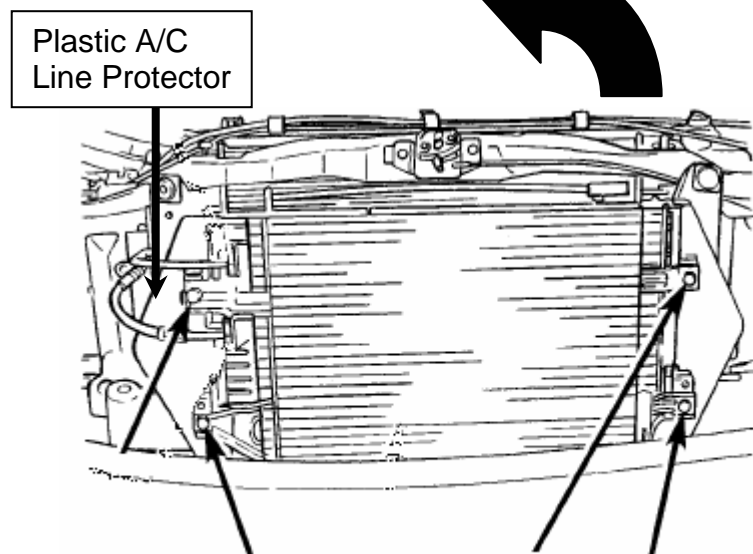
## Removal

Disconnect the battery negative cables.

Remove the plastic A/C line shield located on the passenger side of the A/C condenser.

Remove the four bolts securing the A/C condenser to the intercooler.

Once the four bolts are removed rotate the A/C condenser up and towards the passenger side of the vehicle. Be sure not to break or crack the A/C lines. Once the A/C condenser has been rotated 90°, secure the condenser to the vehicle's lifted hood by a coat hanger or steel wire.



With A/C condenser rotated out of the way, you should be able to access the factory intercooler.

Remove the two bolts securing the top of the intercooler.

Loosen and remove the two intercooler boots and four clamps securing the intercooler to the intercooler tubes.

Pivot the intercooler forwards and then lift directly up to remove the intercooler.

BD ENGINE BRAKE, INC.

Plant Address: A10-33733 King Rd, Abbotsford, BC, Canada V2S 7M9

US Shipping Address: 88-446 Harrison St, Sumas, WA 98295 US Mailing Address: PO Box 231, Sumas, WA 98295

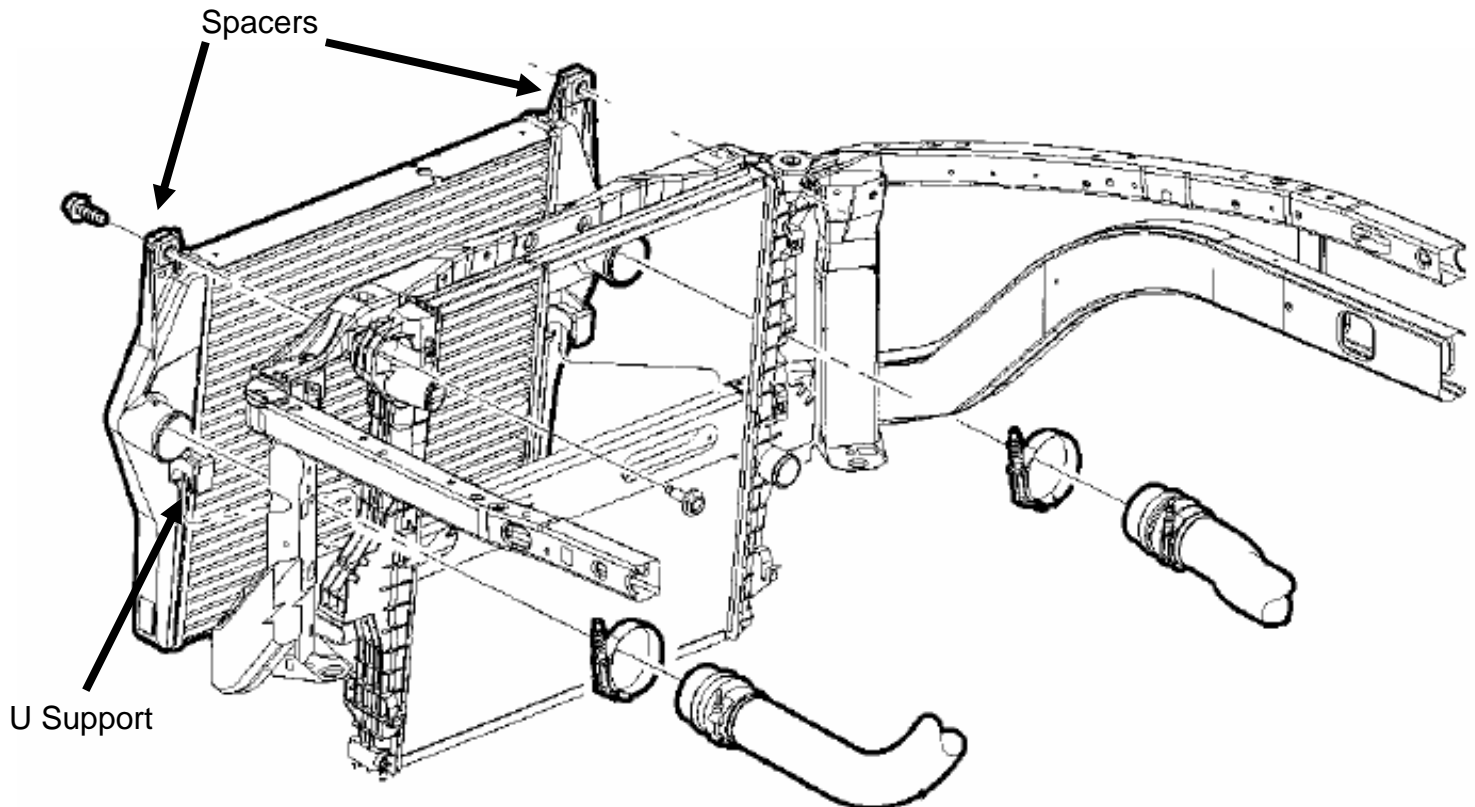
Phone: 604-853-6096 Fax: 604-853-8749 Internet: www.bd-power.com

## Installation

Remove the two upper rubber isolators from the stock intercooler and install them on the Cool-It intercooler.

Remove the two lower rubber U shaped isolators from the back of the stock intercooler and insert them into the U supports on the back of the Cool-It intercooler.

Loosely install the 3-3.5" intercooler boots on both intercooler tubes along with the 3.0" spring loaded hose clamps.



Carefully lift the Cool-It intercooler into place ensuring that the "U" supports on the rear of the intercooler sit squarely on the cross member. Also ensure that the "U" shaped rubber isolators have maintained their shaped and not folded during installation.

BD ENGINE BRAKE, INC.

Plant Address: A10-33733 King Rd, Abbotsford, BC, Canada V2S 7M9

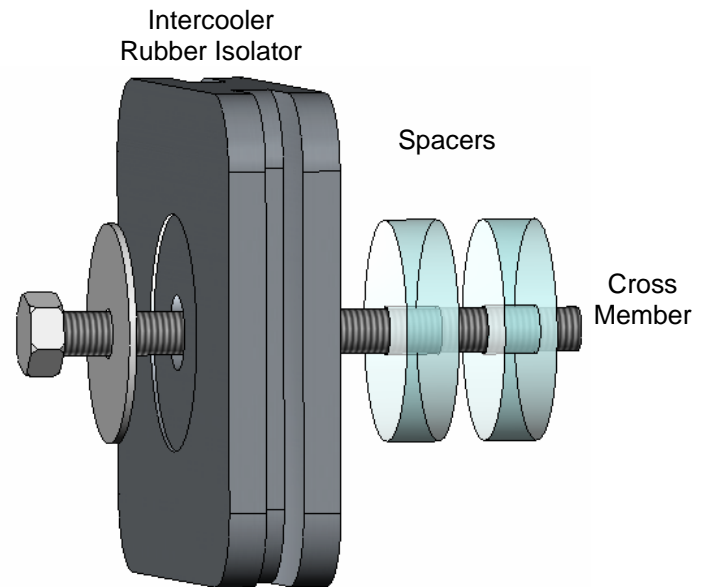
US Shipping Address: 88-446 Harrison St, Sumas, WA 98295 US Mailing Address: PO Box 231, Sumas, WA 98295

Phone: 604-853-6096 Fax: 604-853-8749 Internet: [www.bd-power.com](http://www.bd-power.com)

Center the intercooler and install the intercooler boots on both sides. Use the provided spring clamps to secure the boots to the pipes/intercooler. Note that the intercooler end takes have a diameter of 3.5" and will use the larger of the two spring clamps.

You can now secure the top of the intercooler using the provided bolts, washers and spacers. Be sure to install the 2 factory rubber isolators onto the top of the intercooler.

Most installations will require two spacers for the bottom of the intercooler to clear the bumper support bracket bolts. Using more spacers will tilt the bottom of the intercooler towards the rear of the vehicle.



**NOTE: SOME VEHICLES YOU WILL NEED TO CUT OFF THE ENDS OF THE 4 (2 ON EACH SIDE) BUMPER SUPPORT BRACKET BOLTS.**

You can now release the A/C condenser and rotate it back into place. Again be very careful to discharge A/C gas.

The Cool-It intercooler has two different mounting arrangements that you can utilize depending on if you had a plastic factory intercooler or an aluminum one. Use the provided bolts and washers to secure A/C condenser in place.

Re-install the plastic A/C line shield.

Re-install battery cables.

You can now take the vehicle for a road test ensuring that there are no boost leaks. Once the road test is successful re-check all bolts.

BD ENGINE BRAKE, INC.

Plant Address: A10-33733 King Rd, Abbotsford, BC, Canada V2S 7M9

US Shipping Address: 88-446 Harrison St, Sumas, WA 98295 US Mailing Address: PO Box 231, Sumas, WA 98295

Phone: 604-853-6096 Fax: 604-853-8749 Internet: [www.bd-power.com](http://www.bd-power.com)

## **BD ENGINE BRAKE, INC. LIMITED WARRANTY STATEMENT**

THE INSTALLATION OF THIS PRODUCT INDICATES THAT THE BUYER HAS READ AND UNDERSTANDS THIS AGREEMENT AND ACCEPTS ITS TERMS AND CONDITIONS.

### **DISCLAIMER OF LIABILITY**

BD Engine Brake Inc., its successors, distributors, jobbers, and dealers (hereafter "**BD**") shall in no way be responsible for the product's proper use and service. THE BUYER HEREBY WAIVES ALL LIABILITY CLAIMS.

**BD** disclaims any warranty and expressly disclaims any liability for personal injury or damages. **BD** also disclaims any liability for incidental or consequential damages including, but not limited to, repair labor, rental vehicles, hotel costs, or any other inconvenience costs by reason of use or sale of any such equipment. The **BUYER** acknowledges and agrees that the disclaimer of any liability for personal injury is a material term for this agreement and the **BUYER** agrees to indemnify **BD** and to hold **BD** harmless from any claim related to the item of any equipment purchased.

This warranty shall not apply to any unit that has been improperly stored or installed, or to misapplication, improper operation conditions, accidents, neglect, or which has been improperly repaired or altered or otherwise mistreated by the **BUYER** or his agent. **BD** also assumes no liability regarding the improper installation or misapplication of its products. It is the installer's responsibility to check for proper installation and if in doubt, contact the manufacturer.

### **LIMITATION OF WARRANTY**

BD Engine Brake Inc. (hereafter "**BD**") warrants to the **BUYER** that any parts purchased shall be free from defects in material workmanship. A defect is defined as a condition within the product that would render the product inoperable. **BD** gives Limited Warranty as to description, quality, merchantability, fitness for any product's purpose, productiveness, or any other matter of **BD's** product sold herewith. **BD** shall be in no way responsible for the product's open use and service and the **BUYER** hereby waives all rights other than those expressly written herein. This Warranty shall not be extended or varied except by a written instrument signed by **BD** and the **BUYER**. **BD** will not warranty the manifold due to misuse, excessive temperatures, excess load conditions or rust or discoloration.

**The Warranty is Limited to one (1) year from the date of sale. Until BD has approved the claim, the consumer may be responsible for these costs.**

A Return Material Authorization (RMA) number, obtained in advance from **BD**, must accompany all products returned for warranty consideration. All products must be returned, shipping prepaid, to **BD** and must be accompanied by a dated proof of purchase receipt. All Warranty claims are subject to approval by **BD** and repaired or replaced product will be returned to the customer freight collect. Accepted warranty units, which have been replaced, become the sole property of **BD**.

This warranty is in lieu of all other warranties or guaranties, either expressed or implied, and shall not extend to any consumer or to any person other than the original purchaser residing within the boundaries of the continental U.S. or Canada.

IN THE EVENT THAT THE BUYER DOES NOT AGREE WITH THIS AGREEMENT, THE BUYER MAY PROMPTLY RETURN THIS PRODUCT, IN A NEW AND UNUSED CONDITION, WITH A DATED PROOF OF PURCHASE, TO THE PLACE OF PURCHASE WITHIN THIRTY (30) DAYS FROM DATE OF PURCHASE FOR A FULL REFUND.

BD ENGINE BRAKE, INC.

Plant Address: A10-33733 King Rd, Abbotsford, BC, Canada V2S 7M9

US Shipping Address: 88-446 Harrison St, Sumas, WA 98295 US Mailing Address: PO Box 231, Sumas, WA 98295

Phone: 604-853-6096 Fax: 604-853-8749 Internet: [www.bd-power.com](http://www.bd-power.com)