

2003-07 Ford 6.0L Boost Builder

P/N# 1516000

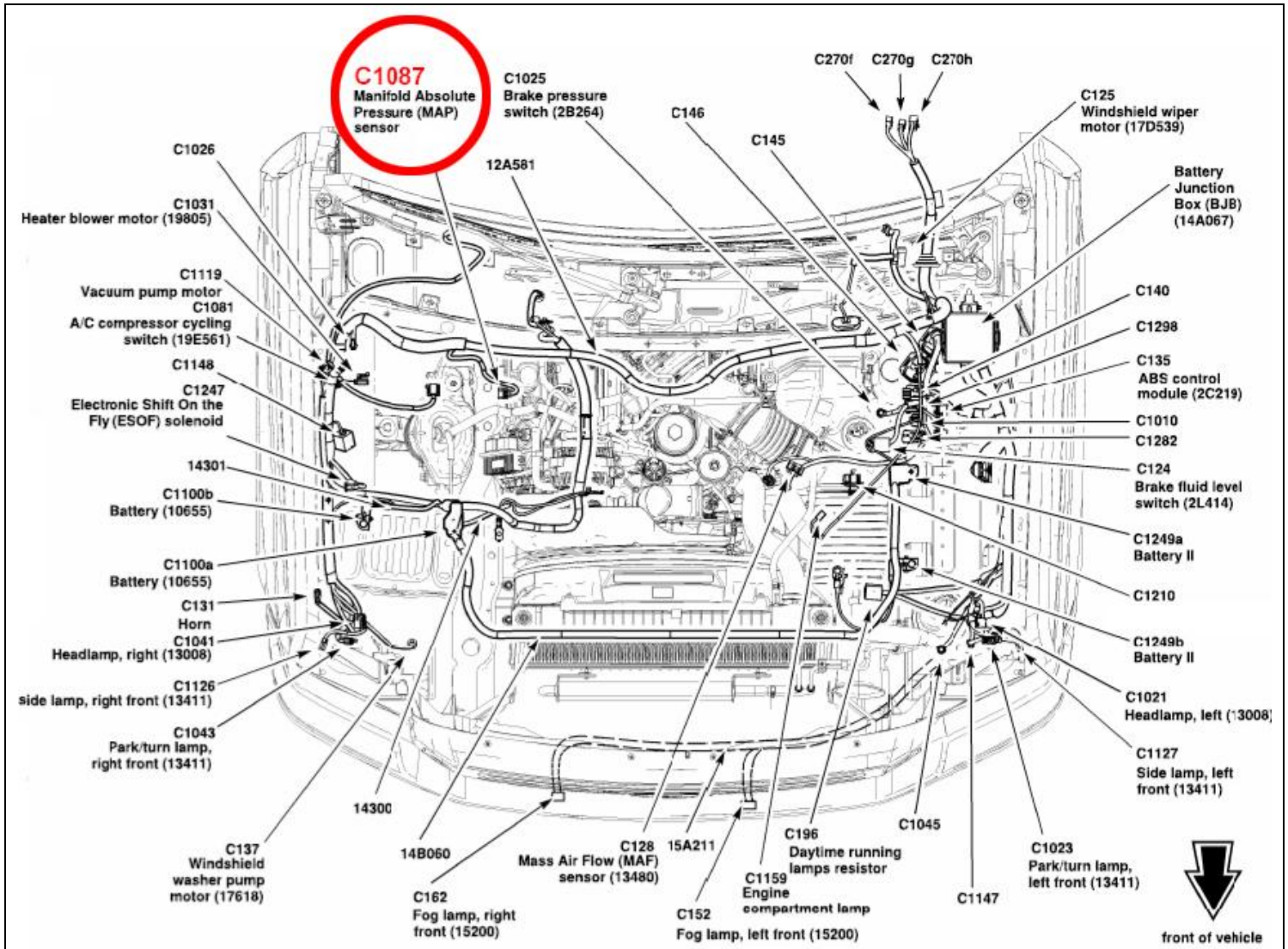
- Installation Manual -

PLEASE READ ALL INSTRUCTIONS BEFORE INSTALLATION.
Please read the disclaimer before proceeding to install this unit.

UNLESS AN EO# IS LISTED, THIS PRODUCT IS LEGAL IN CALIFORNIA FOR RACING VEHICLES ONLY, WHICH MAY NEVER BE USED UPON A HIGHWAY.

BD Engine Brake Inc.
Plant Address: 33541 MacLure Rd. Abbotsford, BC, Canada V2S 7W2
U.S. Shipping Address: 88-446 Harrison St, Sumas, WA 98295 U.S. Mailing Address: P.O. Box 231, Sumas, WA 98295
Phone: 604-853-6096 | Fax: 604-853-8749 | Internet: www.bd-power.com

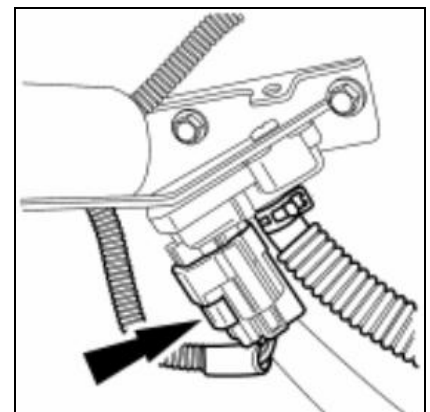
BOOST BUILDER INSTALLATION



Locate the factory MAP sensor on the passenger side of the vehicle. It should be mounted near the firewall on a pedestal.

Remove the connector from the sensor and plug in the mating connector on the BD boost builder to the sensor. Also plug the other side of the connector to the factory connector.

Note that this factory connection is sometimes very difficult to separate. There is a red locking pin on the top that needs to be removed first.

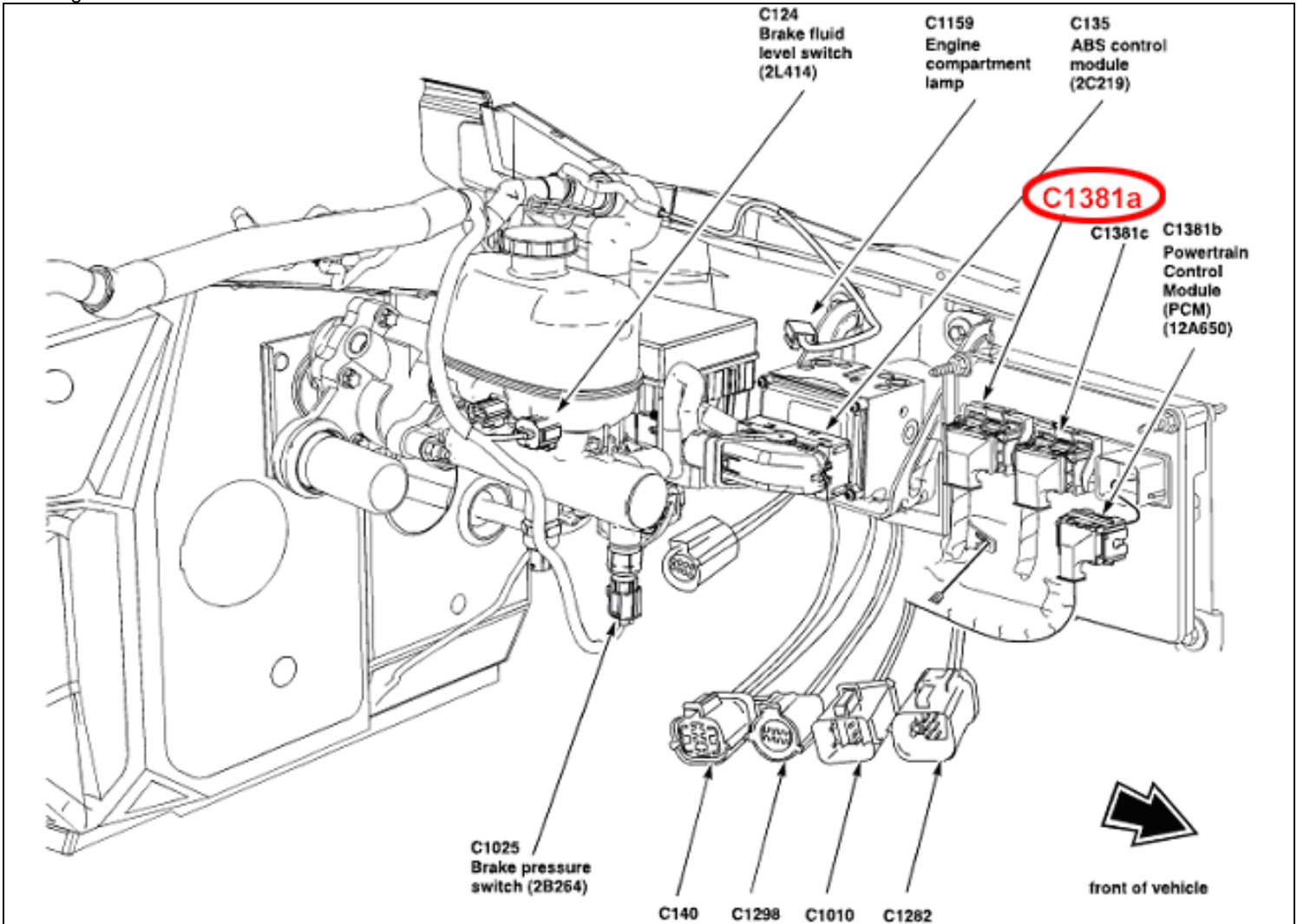


BD Engine Brake Inc.

Plant Address: 33541 MacLure Rd. Abbotsford, BC, Canada V2S 7W2

U.S. Shipping Address: 88-446 Harrison St, Sumas, WA 98295 U.S. Mailing Address: P.O. Box 231, Sumas, WA 98295

Phone: 604-853-6096 | Fax: 604-853-8749 | Internet: www.bd-power.com



Once the connectors are connected, route the yellow wire along the top of the cowl, over to the driver side. The yellow wire will then connect to the ECM.

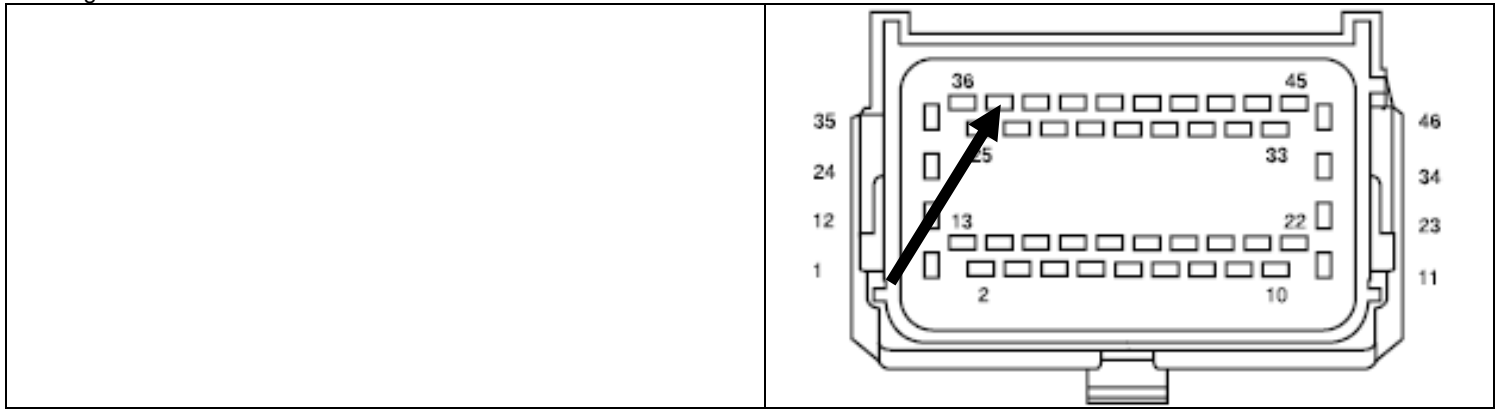
Locate the (46-pin) C1381a connector farthest to the rear on the ECM. We are looking to connect to the **APPS Sensor 2 signal wire**.

Use the provided POSI-TAP to TAP the connection to the PIN # 37 wire.

You may want to use a voltmeter to ensure this connection is made. The voltage at idle should be around 1.54V.

2005-2007	Pin #
Wire Color	
TN / WT	36
→ WHITE	37
DB / LG	38

2003-2004	Pin #
Wire Color	
TN / WT	36
→ YELLOW	37
DB / LG	38



With the installation of this product you should notice faster spool up and less turbo lag. There may be a little more black smoke during hard acceleration as well.

Please note that some trucks will set a P0069 DTC and have drivability problems. Unfortunately there is no fix for this, and to continue you will need to restart the vehicle and/or clear the code.

If this is a concern to you please do not install the product and return it immediately. Please know there will be no warranty labor on this product.

BD Engine Brake Inc.

Plant Address: 33541 MacLure Rd. Abbotsford, BC, Canada V2S 7W2

U.S. Shipping Address: 88-446 Harrison St, Sumas, WA 98295 U.S. Mailing Address: P.O. Box 231, Sumas, WA 98295

Phone: 604-853-6096 | Fax: 604-853-8749 | Internet: www.bd-power.com