



2003-2008 Dodge Cummins **FloMax Auxiliary Fuel Filter Kit**

Part# 1050050

PLEASE READ ALL INSTRUCTIONS BEFORE INSTALLATION.
Please read the disclaimer before proceeding to install this unit.

Introduction

The purpose of this kit is to sufficiently filter diesel fuel entering the Cummins fuel system. This fuel filter kit will not only help filter your fuel properly but will also protect your engine.

The kit is design to flow enough fuel to support over 500HP and still filter down to 3 micron absolute.

This kit filters fuel after the stock fuel filter, which we supply a 3 micron filter with the kit. The stock fuel filter is efficient only from 10-7 micron.

We suggest changing the fuel filter every time the stock fuel filter is changed (5000-7500 miles).

Kit Contents

| Part Number | Description | Qty. |
|--------------------|-------------------------|-------------|
| 1500067 | Fuel Filter | 1 |
| 1500062 | Fuel Filter Head | 1 |
| 1505001 | Hose Clamp | 4 |
| 1040150 | Bolt: 1/2" x 1 1/2"NC | 1 |
| 1040153 | Washer: 1/2" Flat | 2 |
| 1040152 | Washer: 1/2" Lock | 1 |
| 1502035 | 1/2 NPT x 3/8" Barb 90° | 2 |
| 1040151 | 1/2" Nut | 1 |
| 1502021 | 3/8" Hose | 80" |
| 1500326 | Bracket | 1 |
| 1502033 | M12 x -8 ORB | 2 |
| 1502034 | -8 ORB x 90° Hose | 2 |
| 1604124 | Bolt: 1/4 x 5/8" | 2 |
| 1100111 | Washer: 1/4" Flat | 2 |
| 1100112 | Washer: 1/4" Lock | 2 |

If you would like you use a low fuel pressure warning kit you will need to purchase a Banjo Metric union, part # 1500231.

BD Engine Brake Inc.

Plant Address: 33541 MacLure Rd. Abbotsford, BC, Canada V2S 7W2

U.S. Shipping Address: 88-446 Harrison St, Sumas, WA 98295 U.S. Mailing Address: P.O. Box 231, Sumas, WA 98295

Phone: 604-853-6096 | Fax: 604-853-8749 | Internet: www.bd-power.com

Installation

1. Lift truck using jack stands or hoist.



2. Remove driver's side front wheel and inner fender.

3. Install filter bracket **#1500326** to hole beside body mount at front of wheel well. Use the **1040150** bolt, 2 x **1040153** washer, **1040152** lock washer and **1040151** nut secure the bracket.



BD Engine Brake Inc.

Plant Address: 33541 MacLure Rd. Abbotsford, BC, Canada V2S 7W2

U.S. Shipping Address: 88-446 Harrison St, Sumas, WA 98295 U.S. Mailing Address: P.O. Box 231, Sumas, WA 98295

Phone: 604-853-6096 | Fax: 604-853-8749 | Internet: www.bd-power.com

4. Install the two supplied fittings **#1502035** into the filter head **#1500062** and position upwards on an angle.

When hose are installed they should follow to contour of the fender liner.



5. Mount filter head to bracket, using the two supplied **1604124** bolts, **1100111** washers and **1100112** lock washers.

Install fuel filter to filter head.



BD Engine Brake Inc.

Plant Address: 33541 MacLure Rd. Abbotsford, BC, Canada V2S 7W2

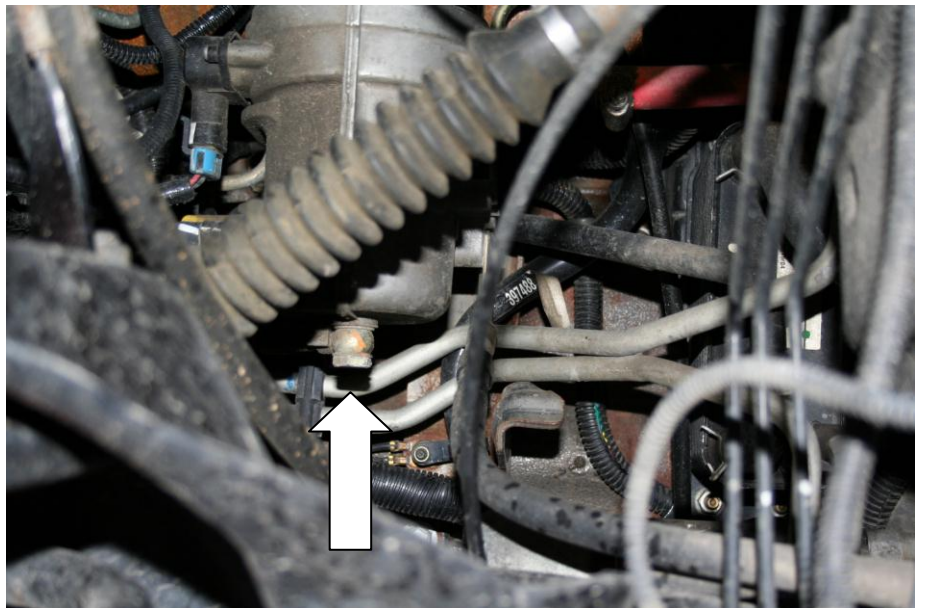
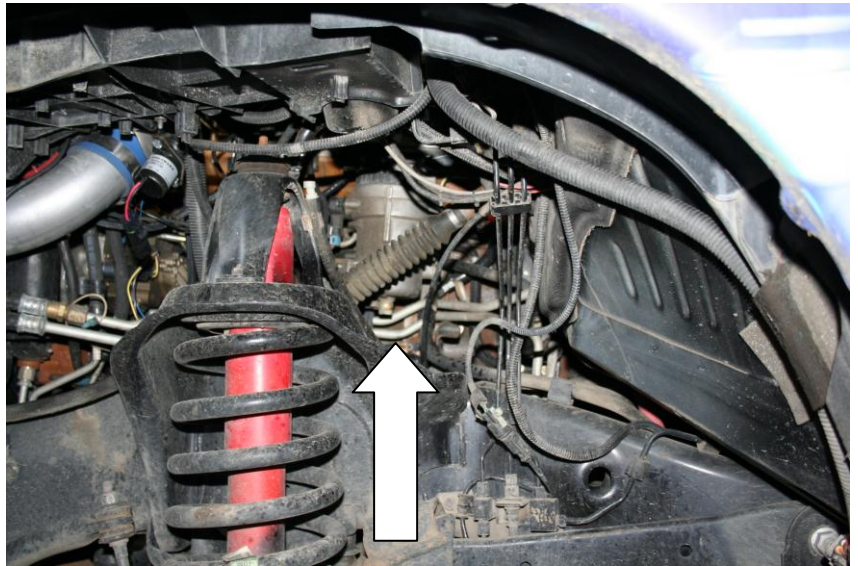
U.S. Shipping Address: 88-446 Harrison St, Sumas, WA 98295 U.S. Mailing Address: P.O. Box 231, Sumas, WA 98295

Phone: 604-853-6096 | Fax: 604-853-8749 | Internet: www.bd-power.com

6. Remove banjo bolt from bottom of fuel bowl.

Move the factory fuel line off to the side to gain more room.

Install **#1502033** ORB-JIC fitting in bottom of fuel bowl. Then install **#1502034** JIC-BARB 90° onto the 1502033 fitting.



7. Connect the 3/8 fuel hose to this new connection all the way to the fuel filter.

Keep the fuel hose away from moving or hot parts.

Secure each connection with the supplied hose clamps **#1330149**



BD Engine Brake Inc.

Plant Address: 33541 MacLure Rd. Abbotsford, BC, Canada V2S 7W2

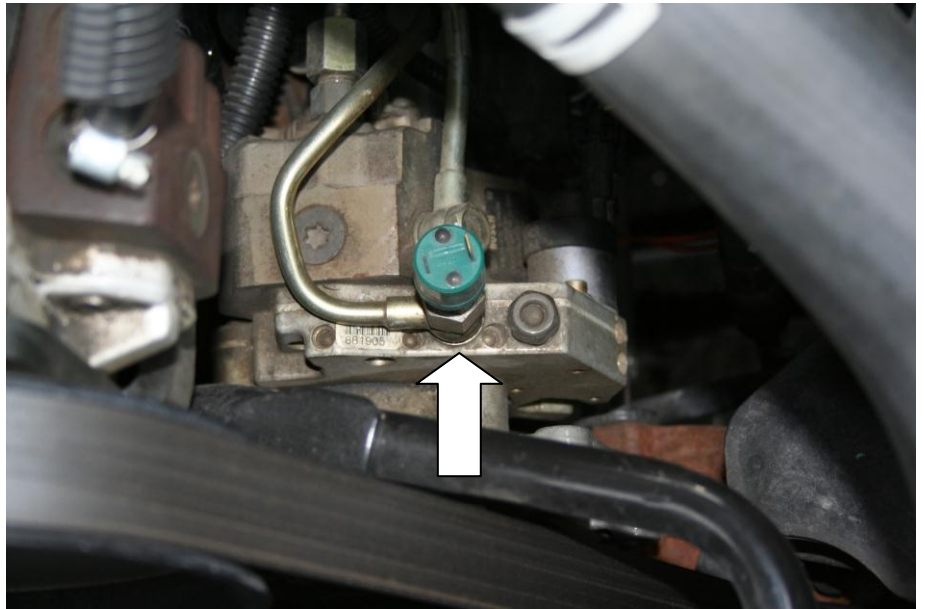
U.S. Shipping Address: 88-446 Harrison St, Sumas, WA 98295 U.S. Mailing Address: P.O. Box 231, Sumas, WA 98295

Phone: 604-853-6096 | Fax: 604-853-8749 | Internet: www.bd-power.com

8. Remove banjo bolt from inlet of CP3 pump.

Install **#1502033** ORB-fitting into the CP3 followed by the **#1502034** JIC-BARB 90°.

Note picture has our Low fuel pressure kit installed. If you would like you use a low fuel pressure warning kit you will need to purchase a Banjo Metric union, part # 1500231.

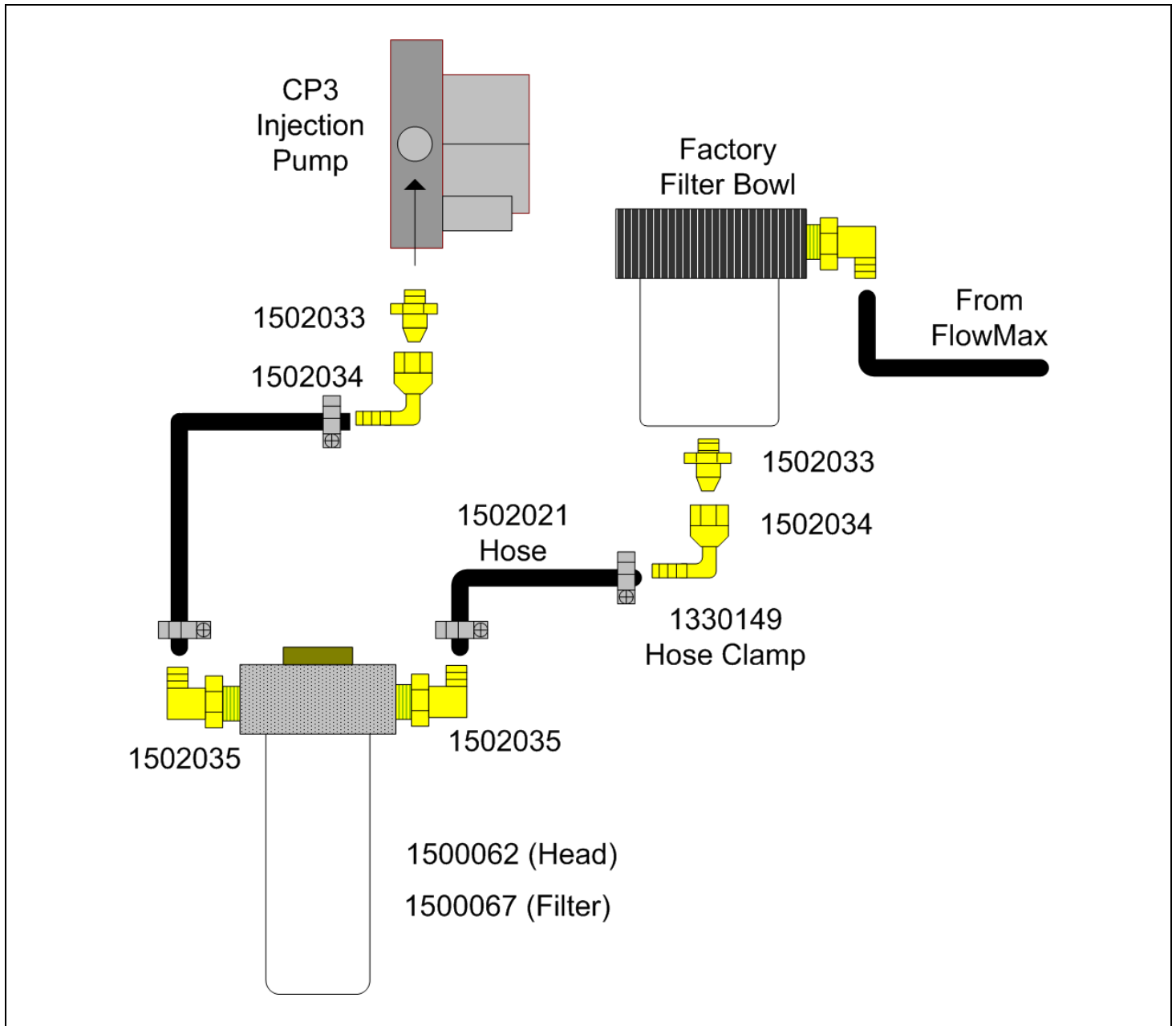


9. Connect the 3/8" fuel hose to the new CP3 connection and route to the fuel filter.

Secure each connection with a hose clamp.

10. Secure both fuel hoses with zip ties.

11. Reinstall inner fender and wheel, torque wheel to factory spec and lower truck safely.



To change the fuel filter you should be able to reach from underneath the vehicle just in front of the driver's side tire.