



# ***C.A.C. Installation***

For 2007.5 – 2010 Ford 6.4L Powerstroke Trucks

**-- Installation Instructions --**

1042720

6.4L Ford Powerstroke

**PLEASE READ ALL INSTRUCTIONS BEFORE INSTALLATION**

BD Engine Brake Inc.

Plant Address: 33541 MacLure Rd. Abbotsford, BC, Canada V2S 7W2




U.S. Shipping Address: 88-446 Harrison St, Sumas, WA 98295 U.S. Mailing Address: P.O. Box 231, Sumas, WA 98295





Phone: 604-853-6096 | Fax: 604-853-8749 | Internet: [www.bd-power.com](http://www.bd-power.com)

## Tools Required

		
Sockets 8,10,11,13mm & 1/2"	Air Wrench	Clip Remover

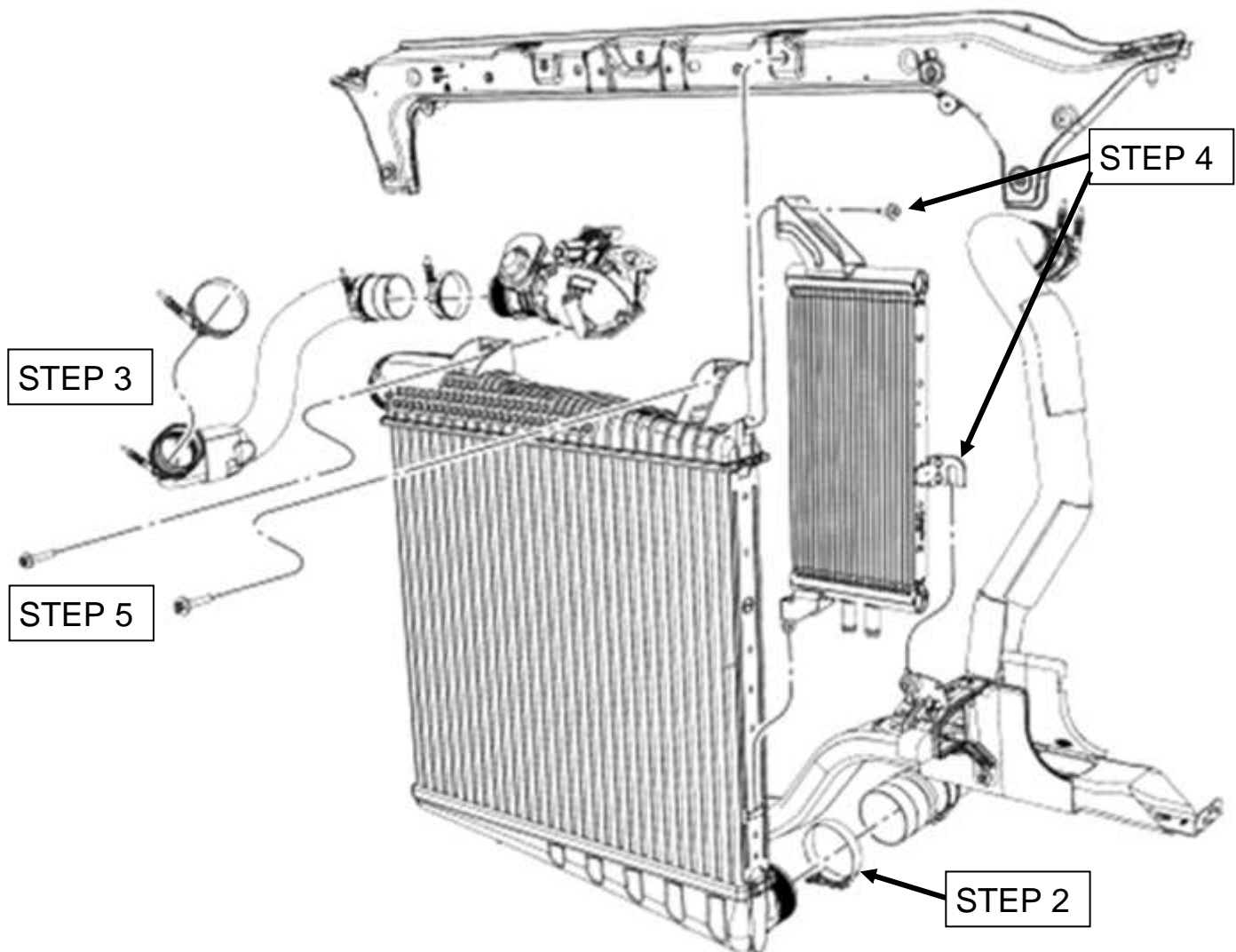
## Kit Contents

1402720	1405404	1402722
		
<i>Charge Air Cooler</i>	<i>3-3.25" Step Boot Used with Stock CAC Pipe</i>	<i>3.25" Straight Boot Used With BD Cast CAC Pipe</i>
<b>Qty: 1</b>	<b>Qty: 1</b>	<b>Qty: 1</b>

1407002	1405211	1407030	1900037
			
<i>Lower CAC Boot</i>	<i>325 Clamps</i>	<i>350 Clamps</i>	<i>M6 X 12mm</i>
<b>Qty: 1</b>	<b>Qty: 2</b>	<b>Qty: 3</b>	<b>Qty: 1</b>

## Procedure

1. Block wheels to ensure vehicle does not roll during installation.



2. Loosen both lower CAC clamps (11mm) and remove boot.
3. Loosen two upper CAC clamp (11mm) to free boot from CAC and pipe.
4. Remove one (10 mm) bolt from top of transmission cooler and one (10mm) bolt from side of cooler to the radiator support. Retain bolts for reuse.
5. Remove two (10mm) bolts from top of CAC. Retain bolts for reuse.
6. Tilt CAC forward to release upper boot, then remove the stock boot & CAC from the vehicle and clean the upper CAC tube.

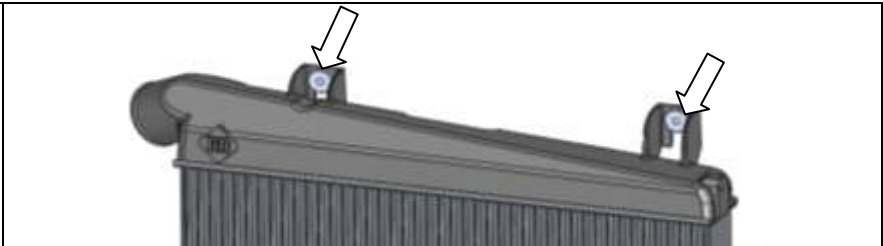
BD Engine Brake Inc.

Plant Address: 33541 MacLure Rd. Abbotsford, BC, Canada V2S 7W2

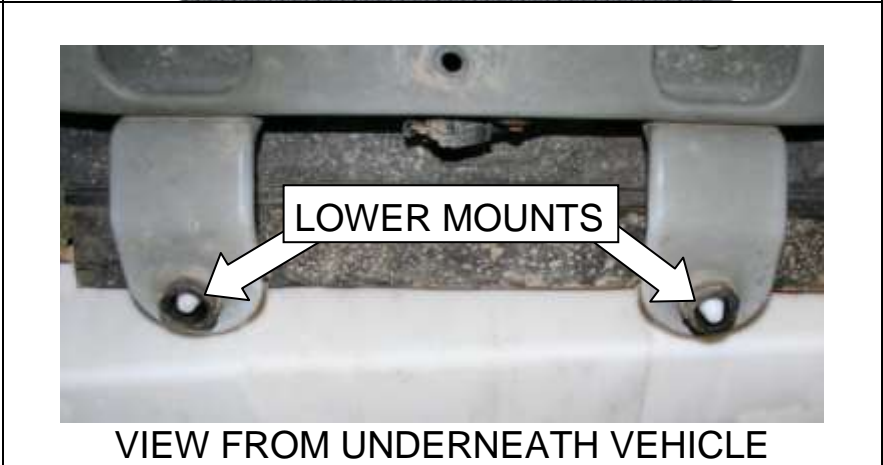
U.S. Shipping Address: 88-446 Harrison St, Sumas, WA 98295 U.S. Mailing Address: P.O. Box 231, Sumas, WA 98295

Phone: 604-853-6096 | Fax: 604-853-8749 | Internet: www.bd-power.com

7. Swap OEM rubber mounts to BD CAC.  
  
Clean lower OEM CAC boot.



8. Install new BD CAC into lower mounts.

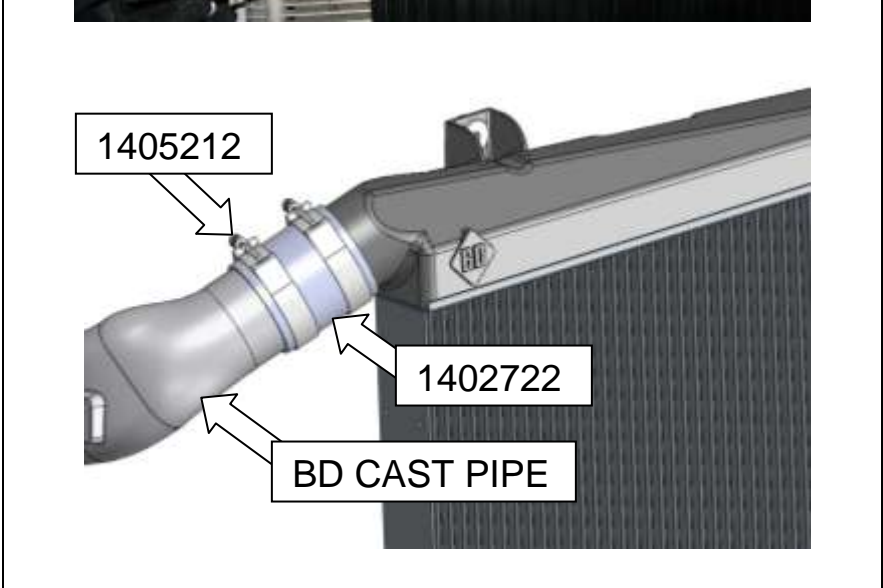


9. Depending on the CAC pipe you have install as stated below. Leave loose to allow movement.

**USING STOCK CAC PIPE**  
Slide clamp (325) onto stock CAC pipe then install the supplied step boot (1405404) with the supplied clamp (350) to secure the CAC outlet once in position.

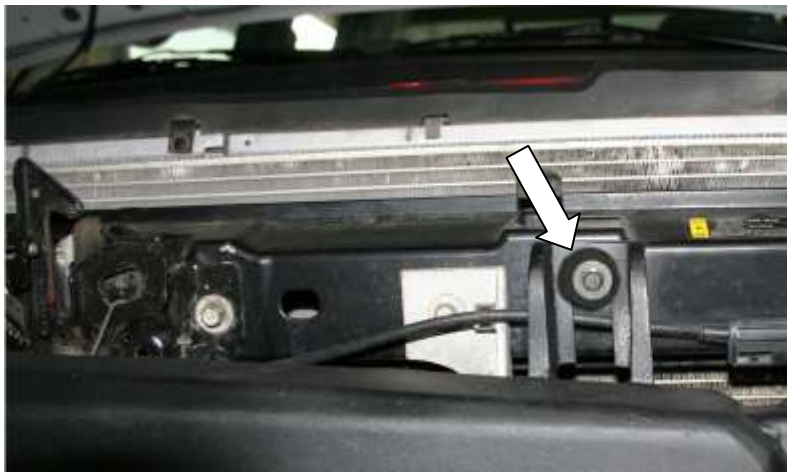
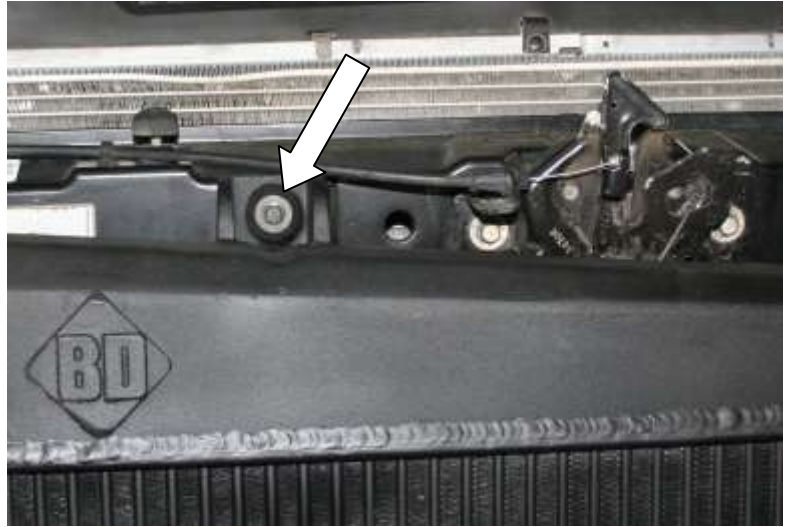


**USING BD CAST CAC PIPE**  
When installing the BD Cast CAC Pipe (1042790) be sure to use (1402722) boot and (350) supplied clamp at top of CAC. Cast pipe bracket will need to be loosened to assist in re & re of the CAC.



Once the boot is in place tilt the CAC towards the vehicle while connecting the boot to the BD CAC outlet.

10. Push against radiator support install two (10mm) bolts.



11. Remount the transmission cooler with supplied bolt (1900037) at top mount (reference step 4 for mount position) and reuse the OEM bolt (10mm) & washer to secure the side mount.



BD Engine Brake Inc.

Plant Address: 33541 MacLure Rd. Abbotsford, BC, Canada V2S 7W2

U.S. Shipping Address: 88-446 Harrison St, Sumas, WA 98295 U.S. Mailing Address: P.O. Box 231, Sumas, WA 98295

Phone: 604-853-6096 | Fax: 604-853-8749 | Internet: [www.bd-power.com](http://www.bd-power.com)

12. Tighten upper CAC clamps until spring is bound.

13. Install CAC Inlet boot (1407002) with the supplied clamp (350) on the CAC side and (325) on the lower CAC pipe and tighten until spring is bound.



14. After 100 miles recheck all boots & clamps. Retighten as necessary.

BD Engine Brake Inc.

Plant Address: 33541 MacLure Rd. Abbotsford, BC, Canada V2S 7W2

U.S. Shipping Address: 88-446 Harrison St, Sumas, WA 98295 U.S. Mailing Address: P.O. Box 231, Sumas, WA 98295

Phone: 604-853-6096 | Fax: 604-853-8749 | Internet: [www.bd-power.com](http://www.bd-power.com)