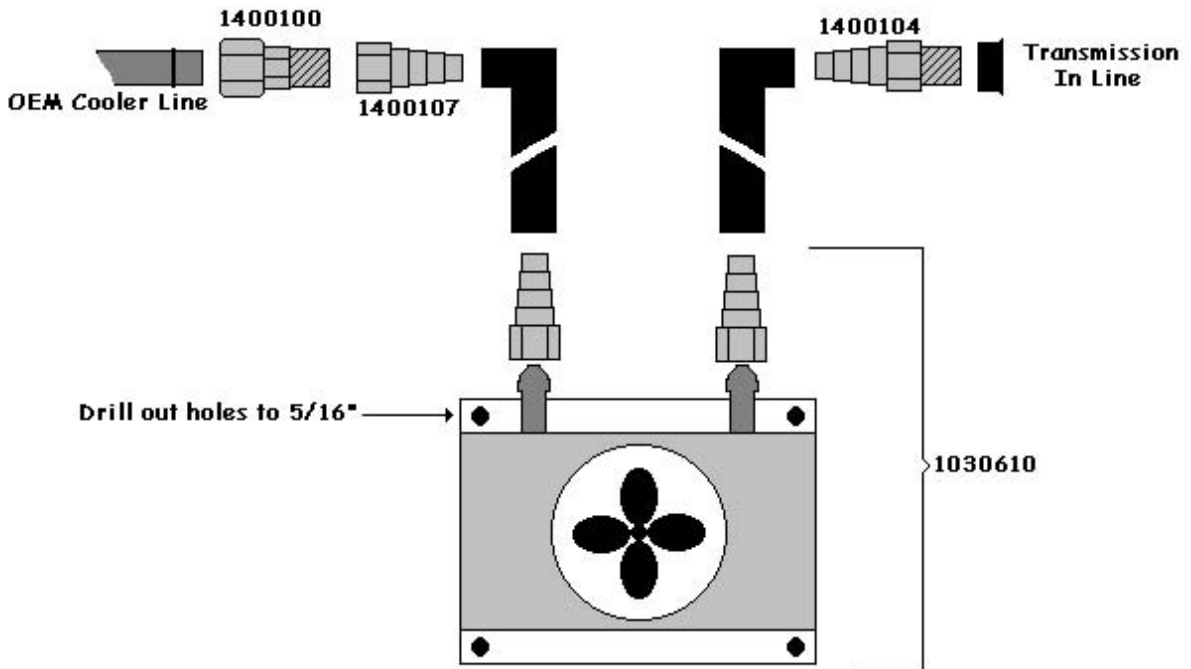
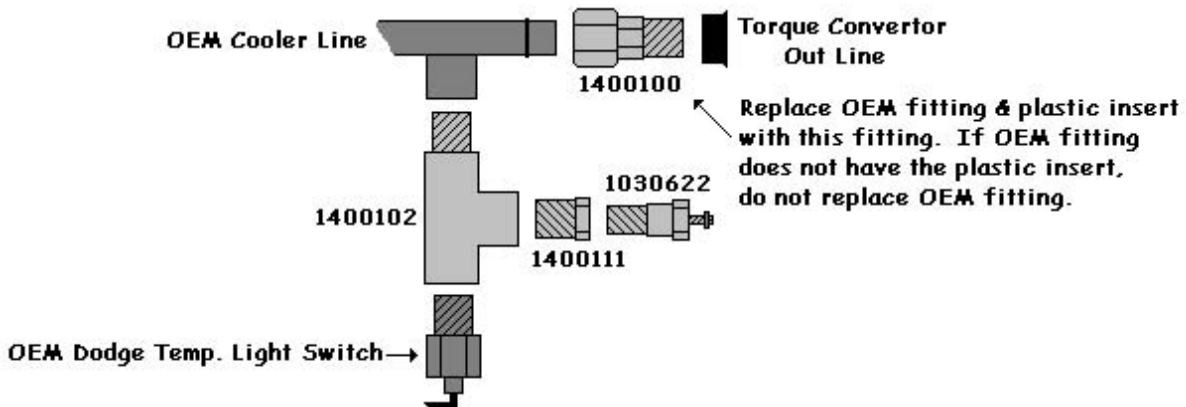


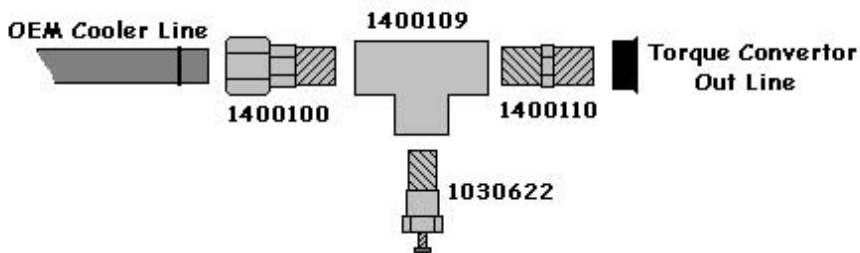
## Dodge Cooler Line Fittings - All Years



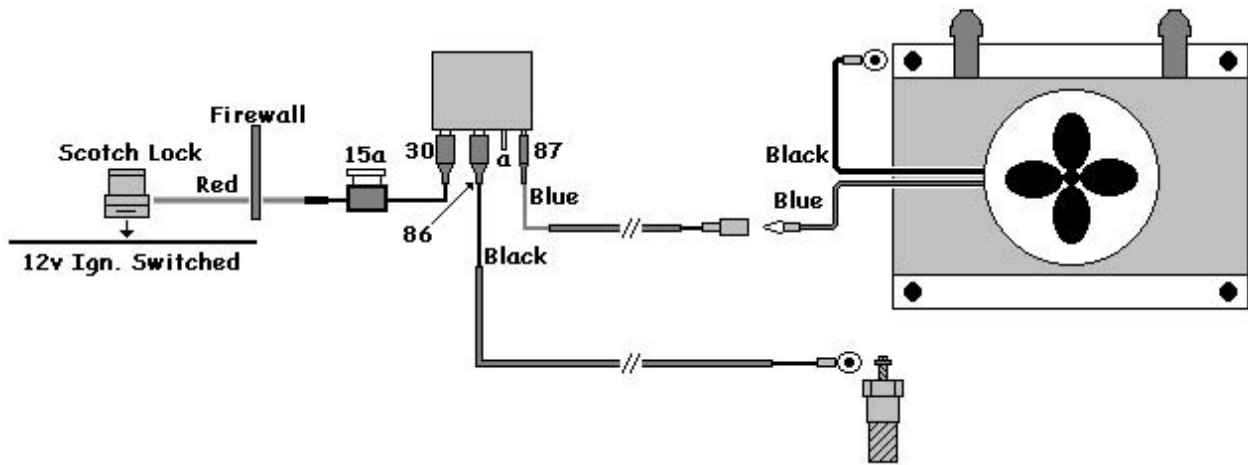
## Dodge Temperature Switch & Fittings 1988-95



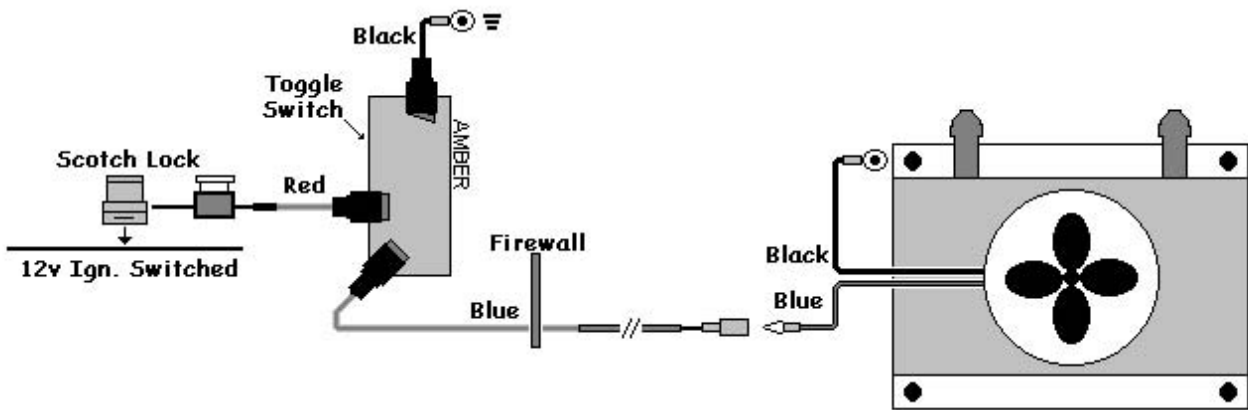
## Dodge Temperature Switch & Fittings 1996-98



## Temperature Switch Wiring Harness

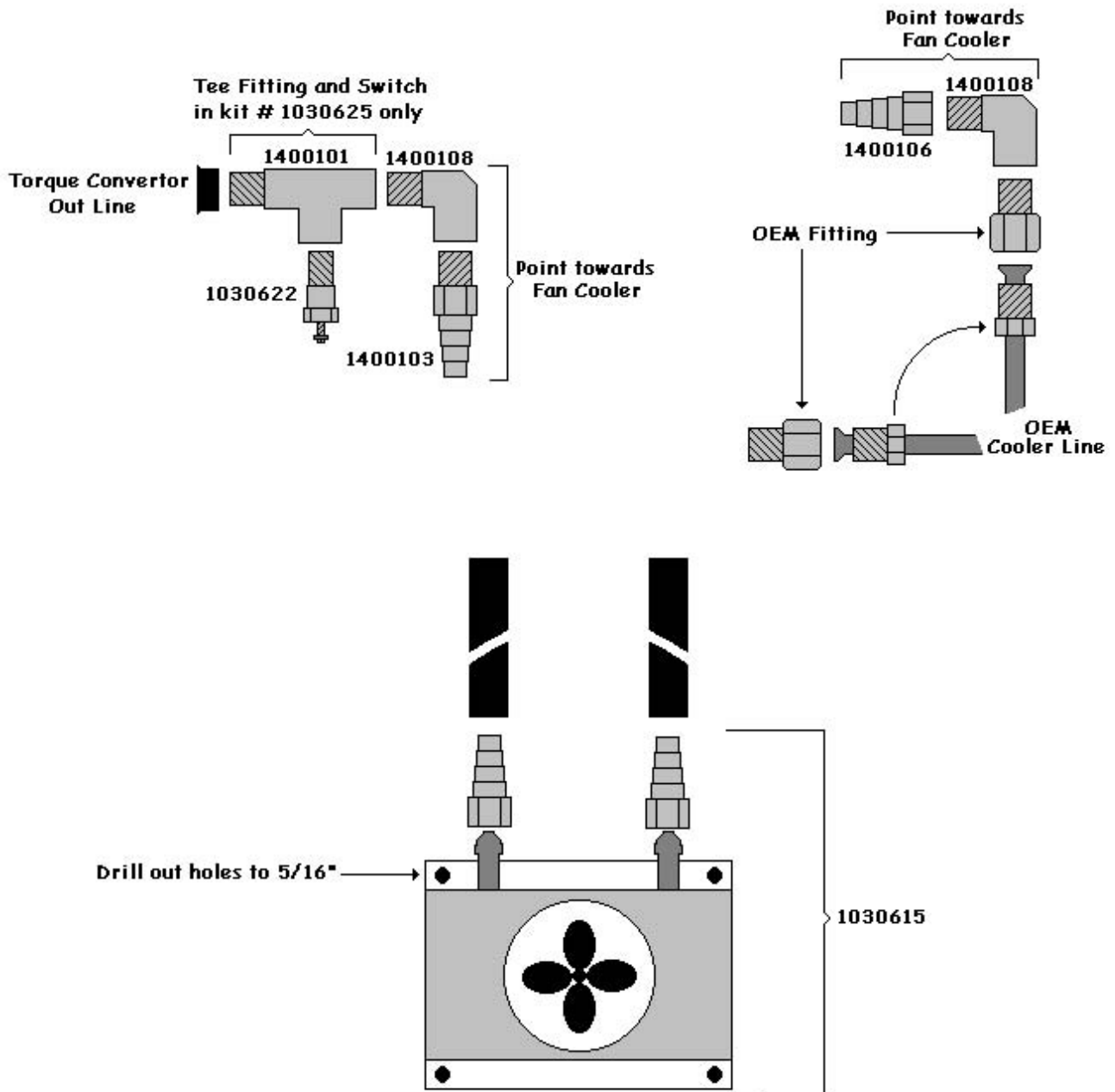


## Manual Switch Wiring Harness



# Ford Fan Cooler Installation

## Kit # 1030625 & 1030635



- 1030615 Fan/Cooler Kit
- 1030622 Switch, 1/4 NPT Male Temperature
- 1400101 Tee, 1/4 NPT Running
- 1400103 Barb, 3/8hs x 1/4 NPT Male
- 1400106 Barb, 3/8hs x 1/4 NPT Female
- 1400108 Elbow, 1/4 NPT Street'

## Cooler Installation & Wiring

